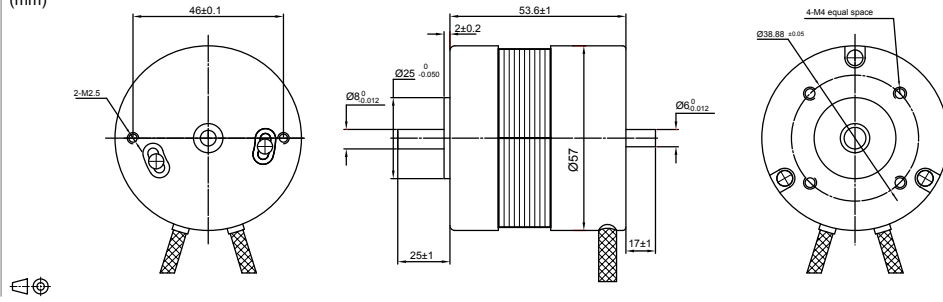


BR5753 / Ø 57mm

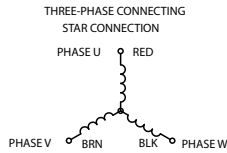
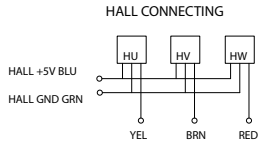
DRAWING (mm)



PHOTO



HALL CONNECTING



MODEL NO. DESIGNATION

MODEL - VOLTAGE

Example: BR5753-12

MOTOR DATA

	Units	BR5753-12	BR5753-24		Units	BR5753
Nominal voltage	V	12	24	Ambient temperature	°C	-15...+40
Nominal power	W	39	41	Max. permissible winding temperature	°C	120
No load speed	rpm	5600	5400	Max. permissible speed	rpm	13000
No load current	mA	600	500	Radial play	mm@g	0.025@460
Nominal speed	rpm	4000	4000	Max. axial load (dynamic)	N	15
Nominal torque	mNm	100	110	Max. radial loading, 10 mm from flange	N	75
Nominal current	A	7.2	2.17	Number of pole pairs		2
Stall torque	mNm	300	330	Number of phases		3
Max. Efficiency	%	53	75	Weight	g	500
Terminal resistance phase to phase	Ω	0.23	0.82			
Terminal inductance phase to phase	mH	0.45	2.3			
Torque constant	mNm / A	14	38.7			
Rotor inertia	gcm ²	75	75			