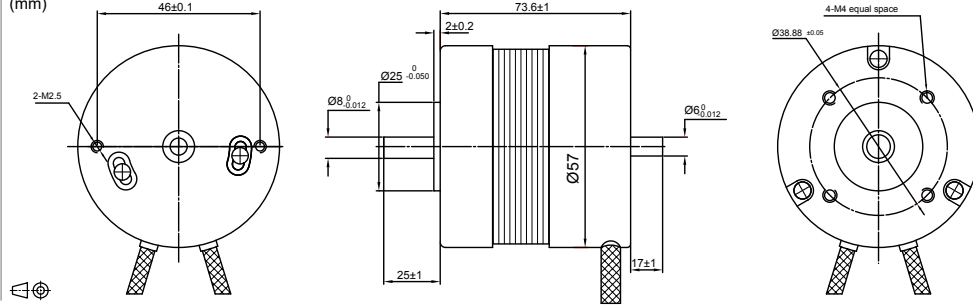


BR5773 / Ø 57mm

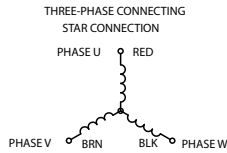
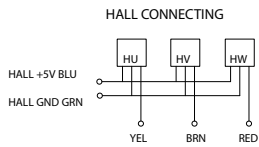
DRAWING (mm)



PHOTO



HALL CONNECTING



MODEL NO. DESIGNATION

MODEL - VOLTAGE

Example: BR5773-12

MOTOR DATA

	Units	BR5773-12	BR5773-24		Units	BR5773
Nominal voltage	V	12	24	Ambient temperature	°C	-15...+40
Nominal power	W	94	81	Max. permissible winding temperature	°C	130
No load speed	rpm	6100	5300	Max. permissible speed	rpm	13000
No load current	mA	1200	550	Radial play	mm@g	0.025@460
Nominal speed	rpm	4000	4000	Max. axial load (dynamic)	N	15
Nominal torque	mNm	220	220	Max. radial loading, 10 mm from flange	N	75
Nominal current	A	12.43	3.67	Number of pole pairs		2
Stall torque	mNm	660	660	Number of phases		3
Max. Efficiency	%	70	75	Weight	g	750
Terminal resistance phase to phase	Ω	0.085	0.35			
Terminal inductance phase to phase	mH	0.2	1			
Torque constant	mNm / A	19.4	43			
Rotor inertia	gcm ²	119	119			