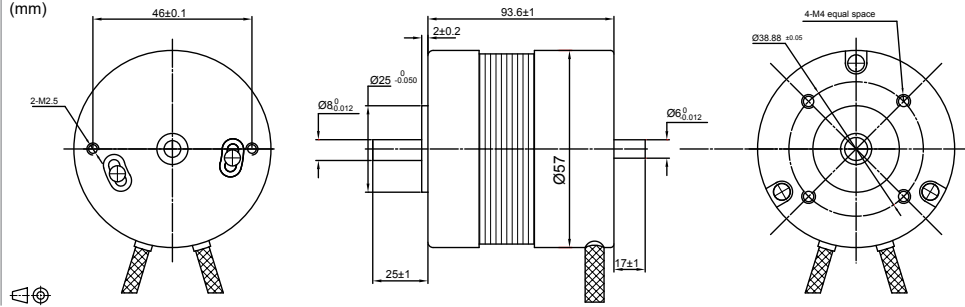


BR5793 / Ø 57mm

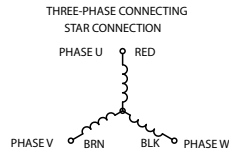
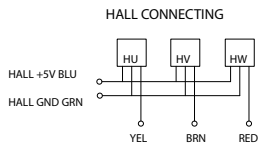
DRAWING (mm)



PHOTO



HALL CONNECTING



MODEL NO. DESIGNATION

MODEL - VOLTAGE

Example: BR5793-12

MOTOR DATA

	Units	BR5793-12	BR5793-24		Units	BR5793
Nominal voltage	V	12	24	Ambient temperature	°C	-15...+40
Nominal power	W	127	120	Max. permissible winding temperature	°C	130
No load speed	rpm	5500	5200	Max. permissible speed	rpm	13000
No load current	mA	1200	700	Radial play	mm@g	0.025@460
Nominal speed	rpm	4000	4000	Max. axial load (dynamic)	N	15
Nominal torque	mNm	330	330	Max. radial loading, 10 mm from flange	N	75
Nominal current	A	19	8.43	Number of pole pairs		2
Stall torque	mNm	990	990	Number of phases		3
Max. Efficiency	%	60	70	Weight	g	1000
Terminal resistance phase to phase	Ω	0.064	0.19			
Terminal inductance phase to phase	mH	0.15	0.61			
Torque constant	mNm / A	24	39.7			
Rotor inertia	gcm ²	173	173			