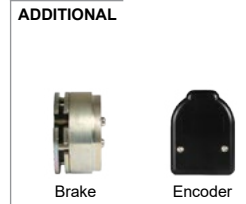
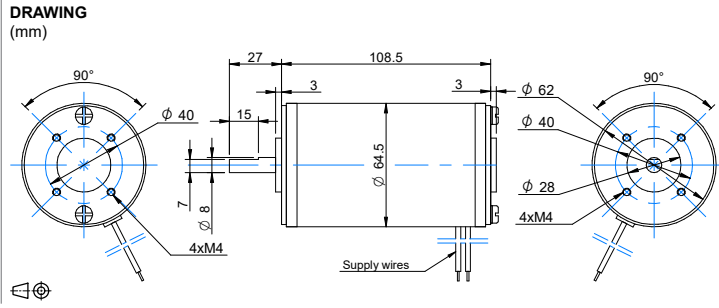


# D64108 / Ø 64mm / 43W



## MODEL NO. DESIGNATIONS

MODEL - VOLTAGE - ME / OE / B

Example: D64108-12-ME

ME = Magnetic encoder  
 OE = Optical encoder  
 B = Brake

## MOTOR DATA

Nominal voltage (V)	12	24
No load speed (rpm)	3300	3400
No load current (A)	1.30	0.60
Nominal speed (rpm) *	2700	2800
Nominal torque (mNm) *	147	147
Nominal current (A)	5.0	2.4
Stall torque (mNm)	1373	1414
Starting current (A)	33	16
Output (W)	42	43
Length (mm)	108	108

(\*) Nominal speed and nominal torque have a tolerance of  $\pm 15\%$