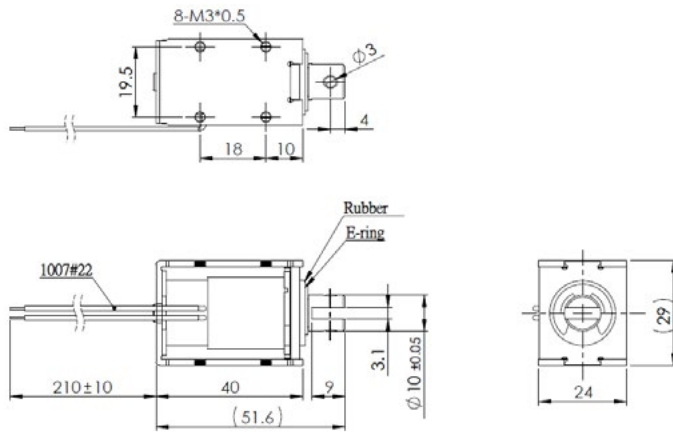


F1040L (pull type)

DRAWING (mm)



PHOTO



MODEL NO. DESIGNATION

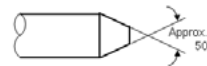
F1040L - VOLTAGE
Example: F1040L-12V

SOLENOID DATA					
Duty cycle / ED (%) ▶	Continuous (100%)	Intermittent (50%)	Intermittent (25%)	Intermittent (10%)	
Watts @ 20°C ▶	4.2	8.4	16.8	42	
Maximum time in energized state (in seconds) ▶	∞	100	36	7	
Part ▼	Resistance (20°C) ± 10% (Ω) ▼	DC Volts (V) ▼			
F1040L-06V	9	6	8.5	12	19
F1040L-12V	34	12	17	24	38
F1040L-24V	137	24	34	48	76

SOLENOID FEATURES AND STANDARD DATA			ADDITIONAL DATA	
	STANDARD	CUSTOMIZATION OPTIONS		
Type	Pull type DC solenoid	Push type DC solenoid	Return spring	Yes
Cable	Flying wire 230mm	Length, type and connector	Weight	122g
Voltage	6 to 24 VDC @ 100% ED	Other voltages upon request		
Life time	At least 500.000 single strokes			
Plunger material	Carbon steel 12L14			
Protection class	IP00			
Insulation grade	B			
Operating temperature	-5°C ... +40°C			
Manufacturing quality standards	ISO9001:2008, ISO/TS 16949:2002			
RoHS compliance	Yes			
CE approval	No			
UL approval	No			

SPRING DATA	
Loading force @ 5mm compression	60 ± 5g

PLUNGER PROFILE



DIAGRAM

