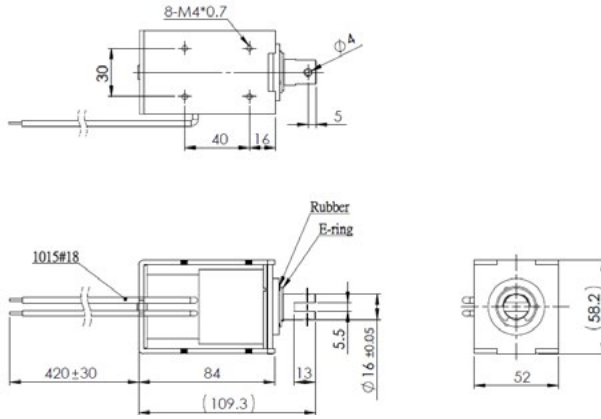


F1683L (pull type)

DRAWING (mm)



PHOTO



MODEL NO. DESIGNATION

F1683L - VOLTAGE

Example: F1683L-12V

SOLENOID DATA

Duty cycle / ED (%) ▶	Continuous (100%)	Intermittent (50%)	Intermittent (25%)	Intermittent (10%)
Watts @ 20°C ▶	16	32	64	160
Maximum time in energized state (in seconds) ▶	∞	250	120	40

Part ▼	Resistance (20°C) ± 10% (Ω) ▼	DC Volts (V) ▼			
F1683L-06V	2.3	6	8.5	12	19
F1683L-12V	9	12	17	24	38
F1683L-24V	36	24	34	48	76

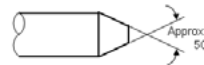
SOLENOID FEATURES AND STANDARD DATA

	STANDARD	CUSTOMIZATION OPTIONS
Type	Pull type DC solenoid	Push type DC solenoid
Cable	Flying wire 230mm	Length, type and connector
Voltage	6 to 24 VDC @ 100% ED	Other voltages upon request
Life time	At least 500.000 single strokes	
Plunger material	Carbon steel 12L14	
Protection class	IP00	
Insulation grade	B	
Operating temperature	-5°C ... +40°C	
Manufacturing quality standards	ISO9001:2008, ISO/TS 16949:2002	
RoHS compliance	Yes	
CE approval	No	
UL approval	No	

ADDITIONAL DATA

Return spring	Yes
Weight	1090g

PLUNGER PROFILE



DIAGRAM

