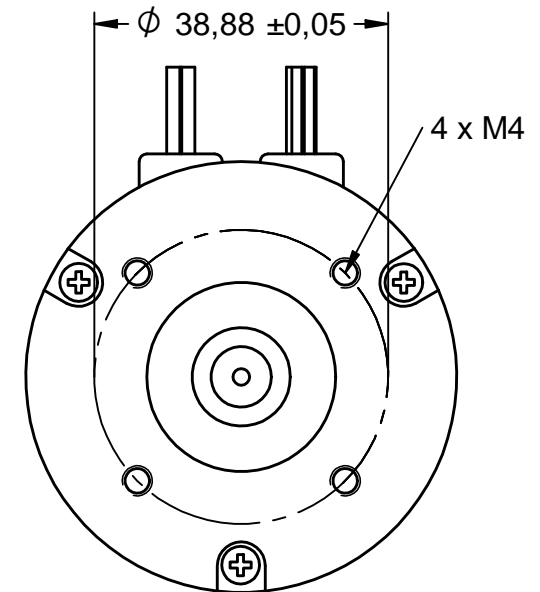
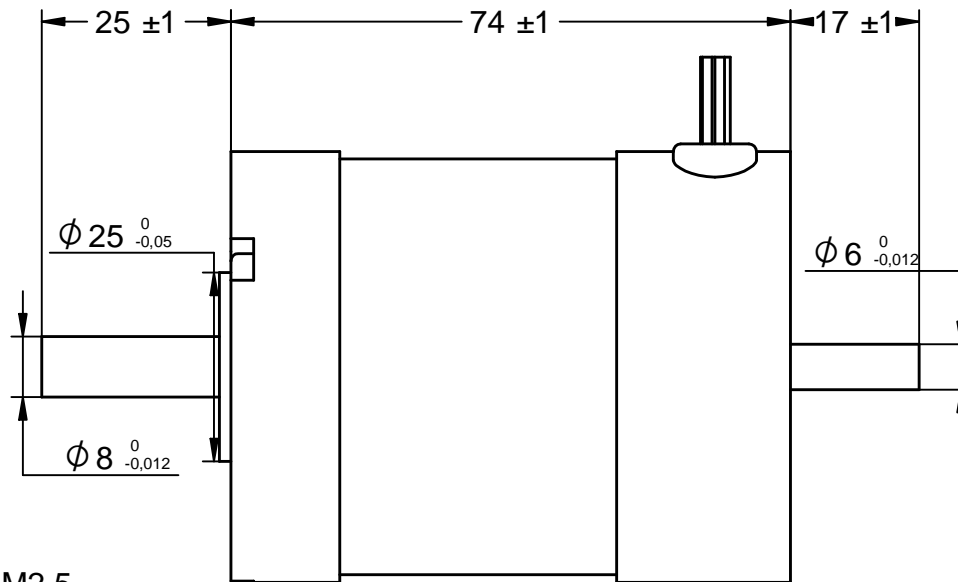


2 x M2.5



Label

BR5773
Date:
www.transmotec.com

TRANSMOTEC

www.transmotec.com

Article No.
BR5773

Scale
1:1

Projection


Base model
2 Base Model

Date
2018-11-15

Rev. Date

Rev. No.

Copyright

This drawing contains confidential information and is the property of Transmotec Sweden AB, without whose permission it may not be copied, shown or handed to a third party or otherwise used and is to be returned promptly upon request to the design owner, who is responsible for the drawing.